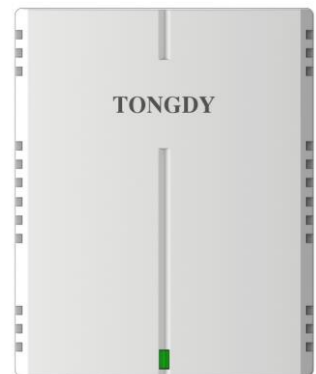


TSP-CO

Carbon Monoxide Detector

Features

- Real-time monitoring Carbon Monoxide concentration in the air, With optional temperature detection
- Industrial class structure design for housings, firm and durable
- Inside famous Japanese Carbon Monoxide sensor with up to 5 years lifetime
- Modbus RTU or BACnet -MS/TP communication optional
- OLED display optional
- Three-color LED indicates different CO level
- Buzzer alarm for setpoint
- Different CO ranges selectable
- Sensor coverage up to 30 meters radius subject to air movement.
- 1x 0-10V or 4-20mA analog linear output for CO measured value
- Provide up to two on/off relay outputs
- 24VAC/VDC power supply



Applications

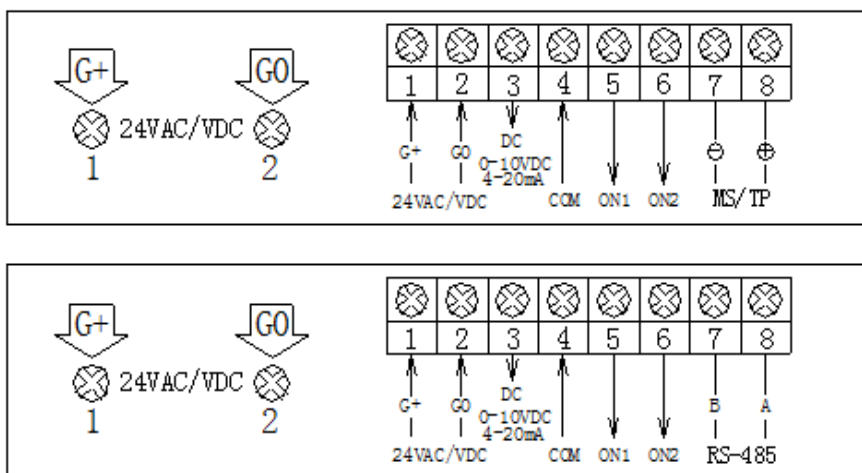
- ✓ Underground parking lots
- ✓ BMS systems
- ✓ Public places monitoring and warning
- ✓ All ventilation control systems

**Specifications**

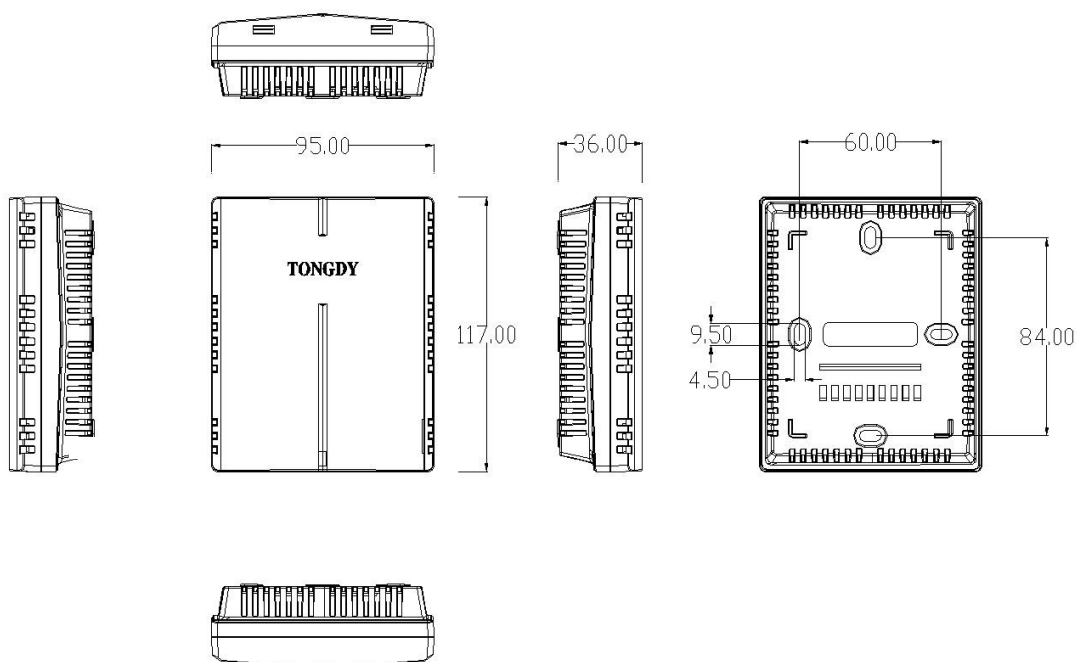
Parameters	
Power Supply	24VAC/VDC
Power Consumption	2.8W
Connection Standard	Wire cross-sectional area<1.5mm ²
Operating Environment	-5-50℃ (0-50℃ for TSP-DXXX) , 0~95%RH
Storage Environment	-5-60℃/ 0~95%RH,non-condensing
Dimension/Net Weight	95mm(W)*117mm(L)*36mm(H) / 280g
Manufacturing Standard	ISO 9001
Housings and IP class	PC/ABS fire-proof material; IP30 protection class
Design Standard	CE-EMC Approval
Sensor	
CO Sensor	Japanese Electrochemical CO Sensor
Sensor Lifetime	Up to 3~5 years and replaceable
Warm Up Time	60 minutes(First use),1 minute(daily use)
Response Time(T90)	<130 seconds
Signal Refreshing	One second
CO Range (Optional)	0-100ppm(Default)/0-200ppm/0-300ppm/0-500ppm
Accuracy	<±1 ppm + 5% of reading (20℃/ 30~60%RH)
Stability	±5% (over 900 days)
Temperature Sensor(Optional)	Capacitive sensor
Measuring Range	-5℃-50℃
Accuracy	±0.5℃ (20~40℃)
Display Resolution	0.1℃
Stability	±0.1℃/year
Outputs	
LCD Display(Optional)	OLED screen, display real-time measured values with CO & Temp or CO, Temp & RH. (LCD display is required for models with relay outputs)
Analog Output	1x0-10VDC/4-20mA linear output for CO measured value
Analog Output Resolution	16Bit
Relay Dry Contact outputs	One or two on/off relay outputs, max current 5A (230VAC/30VDC), Resistive load separately controls CO and Temperature
RS485 Communication (Optional)	.Modbus RTU, Communication Baud:9600bps(Default) .BACnet MS/TP, Communication Baud:9600bps(Default) 15KV anti-static protection
Three-color indicator	Green: CO level < 25ppm Yellow: 25ppm ≤ CO level < 70ppm Red: CO level ≥ 70ppm
Buzzer Alarm	When CO concentration exceeds the alarm setpoint, the buzzer will ring

Alarm Standards	
Audible alarm and CO set point	Chinese Standard: GB15322 European Standard: EN50291 American Standard: UL2034
Calibration Functions (Follow-up Supply)	
DIP Switches	Used for zero calibration mode setting
Sensor air chamber Accessories	Connect windpipe, cover the air chamber to make zero calibration

Wiring Diagram



Dimension and Mounting



Models Guide

Models		Descriptions
CO Transmitter	TSP-CO-B1000	1x0~10V / 4~20mA analog output for CO value
	TSP-CO-B1010	1x0~10V / 4~20mA analog output for CO value with Modbus RS485 interface
	TSP-CO-B1020	1x0~10V / 4~20mA analog output for CO value with BACnet interface
	TSP-CO-B0010	Modbus RS485 interface
	TSP-CO-B0020	BACnet interface
CO Detector (with OLED)	TSP-CO-D0100	1x relay output for CO value
	TSP-CO-D0200-T	2x relay output for CO and temperature
	TSP-CO-D1100	1x relay output , and 1x0~10V / 4~20mA analog output for CO value
	TSP-CO-D1010	1x0~10V / 4~20mA analog output for CO value with Modbus RS485 interface
	TSP-CO-D1020	1x0~10V / 4~20mA analog output for CO value with BACnet interface

Notice:

1. All models with -T suffix mean this model has temperature measuring
2. Suffix CO range selection for all models:
 - 001: 0~100ppm
 - 002: 0~200ppm
 - 003: 0~300ppm
 - 005: 0~500ppm