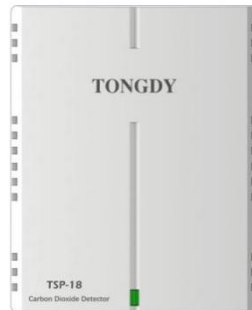


Wi-Fi CO₂/T&RH Detector



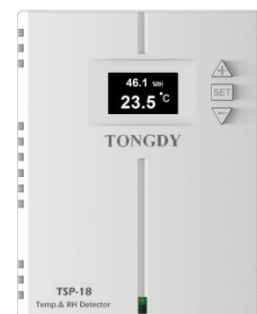
CO₂/T&RH without Display



CO₂+T&RH with Display



CO₂ with Display



T&RH with Display

Applications

- Smart home systems
- Residential projects
- Offices, schools, hotels and other public places
- Other systems need gathering data of CO₂ and Temp.&RH



Scan the QR code to visit our website

www.iaqtongdy.com

info@tongdy.com

Product No: TSP-18-CO₂/T&RH

- Real-time detecting indoor CO₂/Temperature &RH
- Wi-Fi interface and upload real time data to the cloud server
- MQTT /Modbus customization/ Modbus TCP protocol optional
- Built-in self-owned patent measurements of temperature and humidity compensation technology
- 3-color light indicates the range of measurement
- OLED display optional
- Application in offices, schools, hotels, residential projects and other ventilation systems which need gathering CO₂ temp.&RH data.

Features

- CO2 or T&RH detector designed for wireless connection via cloud
- Real-time output of CO2 or T&RH or CO2+ T&RH
- Ethernet RJ45 or Wi-Fi interface optional
- Available & suitable for networks in old and new buildings
- 3-color lights indicates three ranges of one measurement
- OLED display optional
- Wall mounting and 24VAC/VDC power supply
- Over 14 years' experience of exportation to global market and different application of IAQ products.
- Also provides PM2.5 and TVOC detection option, please contact with our sales

Applications

- Smart home systems
- Residential projects
- Offices, schools, hotels and other public places
- Any systems need gathering data of CO2, temp.&RH

Specifications

General Data	
Output	RJ45 (Ethernet TCP) or Wi-Fi
a. RJ45(Ethernet TCP)	MQTT protocol, Modbus customization or Modbus TCP optional
b. Wi-Fi@2.4 GHz 802.11b/g/n	MQTT protocol, Modbus customization or Modbus TCP optional
Data upload interval cycle	Average / 60 seconds
Operating Environment	Temperature: 0~50°C Humidity : 0~99%RH
Storage condition	-10°C~50°C Humidity : 0~70%RH (No condensation)
Power supply	24VAC±10%, or 18~24VDC
Overall Dimension	94mm(L)×116.5mm(W)×36mm(H)
Material of Shell & IP Level	PC/ABS fire-proof material / IP30
Installation	Concealed installation: 65mm×65mm wire box



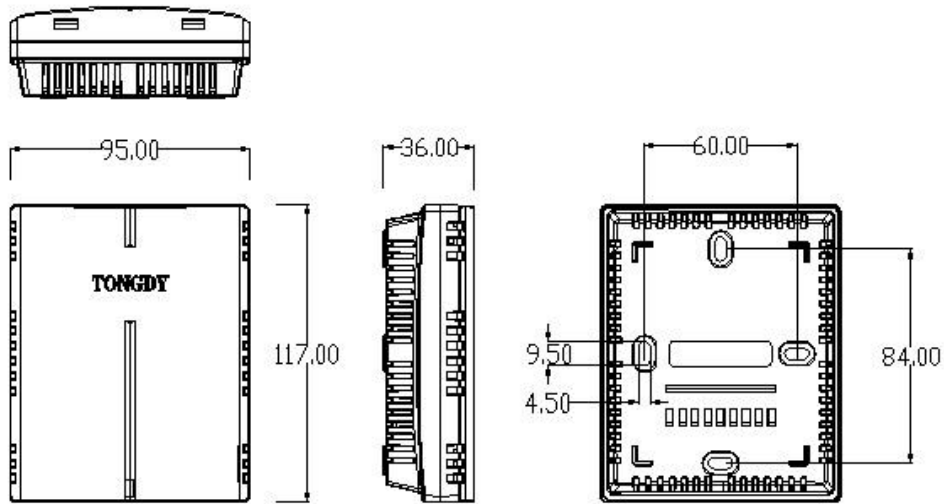
CO ₂ Data	
Sensor	Non-Dispersive Infrared Detector (NDIR)
Measuring Range	400~2,000ppm
Output Resolution	1ppm
Accuracy	±75ppm or 10% of reading
Temperature and Humidity Data	
Sensor	Digital integrated temperature and humidity sensor
Measuring Range	Temperature : -20°C~60°C Humidity : 0~99%RH
Output Resolution	Temperature : 0.01°C Humidity : 0.01%RH
Accuracy	Temperature : ≤±0.6°C@25°C Humidity : ≤±3.5%RH (20%~80%RH)

Models Guide

Model	CO2	Temp.&RH	OLED display	Output
TSP-1814C	•			RS485 (Modbus RTU)
TSP-1814C-SL	•		•	
TSP-1816C	•	•		
TSP-1816C-SL	•	•	•	
TSP-1820C		•		Wi-Fi @2.4 GHz 802.11b/g/n
TSP-1820C-SL		•	•	
TSP-1824C	•			
TSP-1824C-SL	•		•	
TSP-1826C	•	•		
TSP-1826C-SL	•	•	•	

Protocol: MQTT protocol, Modbus customization or Modbus TCP optional

Mounting



Installation bracket (for surface mounted)



[https://: www.iaqtongdy.com](https://www.iaqtongdy.com)

info@tongdy.com

office phone: +86 10 5973 8939

Latin: www.airetongdy.com

China: www.tongdy.com

Address: Building #8, No.9 Dijin Rd, Haidian District, Beijing 100095, China