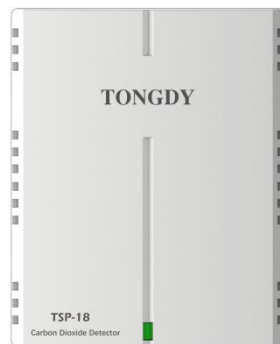


# TSP-18 CO<sub>2</sub>/T&RH Detector

- *Real-time detecting indoor CO<sub>2</sub>/Temperature &RH*
- *Wall mounting with WIFI or RJ45 interface*
- *MQTT /Modbus customization/ Modbus TCP protocol optional*
- *Built-in self-owned patent measurements of temperature and humidity compensation technology*
- *3-color light indicates the range of measurement*
- *OLED display optional*
- *Application in offices, schools, hotels, residential projects and other ventilation systems,*



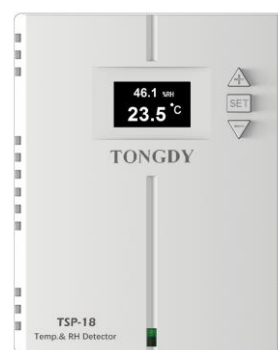
CO<sub>2</sub>/T&RH/CO<sub>2</sub>+T&RH



CO<sub>2</sub>+T&RH with Display



CO<sub>2</sub> with Display



T&RH with Display

## Features

- CO<sub>2</sub> or T&RH detector designed for wireless connection via cloud
- Real-time output of CO<sub>2</sub> or T&RH or CO<sub>2</sub>+ T&RH
- Ethernet RJ45 or WIFI interface optional
- Available & suitable for networks in
  - old and new buildings
  - 3-color lights indicates three ranges of one measurement
  - OLED display optional
  - Wall mounting and 24VAC/VDC power supply

- Over 14 years' experience of exportation to global market and different application of IAQ products.

- Also provides PM2.5 and TVOC detection option, please contact with our sales

## Applications

- Smart Home Systems
- Residential projects
- Offices, schools, hotels and other public places
- Other ventilation systems

## Specifications

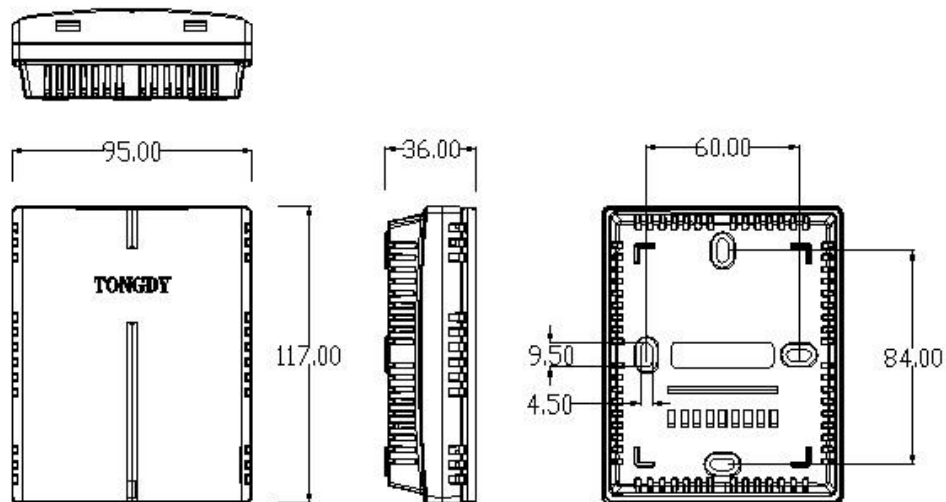
General Data	
Output	RJ45 (Ethernet TCP) or WIFI
a. RJ45(Ethernet TCP)	MQTT protocol, Modbus customization or Modbus TCP optional
b. WiFi@2.4 GHz 802.11b/g/n	MQTT protocol, Modbus customization or Modbus TCP optional
Data upload interval cycle	Average / 60 seconds
Operating Environment	Temperature: 0~50℃ Humidity : 0~99%RH
Storage condition	-10℃~50℃ Humidity : 0~70%RH (No condensation)
Power supply	24VAC±10%, or 18~24VDC
Overall Dimension	94mm(L)×116.5mm(W)×36mm(H)
Material of Shell & IP Level	PC/ABS fire-proof material / IP30
Installation	Concealed installation: 65mm×65mm wire box
CO <sub>2</sub> Data	
Sensor	Non-Dispersive Infrared Detector (NDIR)
Measuring Range	400~2,000ppm
Output Resolution	1ppm
Accuracy	±75ppm or 10% of reading (@ 25℃, 10~50%RH)
Temperature and Humidity Data	
Sensor	Digital integrated temperature and humidity sensor
Measuring Range	Temperature : -20℃~60℃ Humidity : 0~99%RH
Output Resolution	Temperature : 0.01℃ Humidity : 0.01%RH
Accuracy	Temperature : ≤±0.6℃@25℃ Humidity : ≤±3.5%RH (20%~80%RH)

## Models Guide

Model	CO2	Temp.&RH	OLEDdisplay	Output
TSP-1820C		●		WIFI @2.4 GHz 802.11b/g/n
TSP-1820C-SL		●	●	
TSP-1824C	●			
TSP-1824C-SL	●		●	
TSP-1826C	●	●		
TSP-1826C-SL	●	●	●	
TSP-1830C		●		RJ45 (Ethernet TCP)
TSP-1830C-SL		●	●	
TSP-1834C	●			
TSP-1834C-SL	●		●	
TSP-1836C	●	●		
TSP-1836C-SL	●	●	●	

Protocol: MQTT protocol, Modbus customization or Modbus TCP optional

### Installation and Wiring



Installation bracket diagram (if you want to install, need to install the bracket)

