

PM2.5/PM10 Monitor



Applications

- Display real-time PM2.5/PM10 with six colors backlight
- Collect PM2.5/PM10 data via RS485
- Used in residential places
- Small ventilation systems
- Schools, offices, and any public places



Scan the QR code to visit our website

www.iaqtongdy.com

info@tongdy.com

Product No: G03-PM2.5/PM10

- Real-time monitoring air particle PM2.5/PM10, temperature and relative humidity
- Six color of LCD backlight switching corresponding to the six levels of AQI PM2.5 standard
- Modbus RS485 optional
- Wall mounting, or desktop placement
- Power supply: 5V power adaptor or 24VAC/VDC
- Application in residences, offices, small ventilation systems etc.

Features

- Real time monitor indoor PM2.5 and PM10 concentration.
- Monitor indoor air temperature & RH with a high accuracy temperature & RH sensor,
- LCD displays the real time PM2.5/PM10 and moving average of one hour, as well as real time temperature and RH measurements.
- Six backlight colors against PM2.5 AQI standard, which indicating PM2.5 more intuitive and clear.
- 24VAV/VDC power supply or 5V with a power adaptor
- Option: RS485 interface with Modbus RTU
- We provide other indoor air quality monitors like carbon dioxide, TVOC monitor, applied to the fresh air systems

Main Applications

- Display real-time PM2.5/PM10 with six colors backlight
- Collect and gather PM2.5/PM10 data via RS485
- Used in residential places
- Small ventilation systems
- Schools, offices, and any public places

Models Guide

Model	PM2.5 PM10	Temp/RH	5VDC With power adaptor	24VAC/VDC Power Supply	Output
G03-PM2.5-300	●	●	●		NONE
G03-PM2.5-340	●	●		●	RS485 (Modbus RTU)

Specifications

General Data	
Power supply	5VDC with a power adaptor 24VAC/VDC
Work consumption	1.2W
Warm-up time	60s
Monitor parameters	PM2.5 or PM10, air temperature & RH
LCD display	LCD six backlit, displays six levels of PM2.5/PM10 and one hour average value. Green: Top Quality- Grade I Yellow: Good Quality-Grade II Orange: mild level pollution -Grade III Red: medium level pollution Grade IV Purple: seriously level pollution Grade V Maroon: severe pollution - Grade VI
DIP switches setting	DIP1: ON-diaplay PM10 OFF-display PM2.5 (default) DIP2: ON-circulate display PM2.5/ PM10 OFF-fixed display (default) DIP3: ON-turn off backlit OFF-turn on backlit (default) DIP4: ON-reset the default OFF-invalid (default)
Modbus RS485 interface	9600bps, 15KVa antistatic protective
Storage condition	0℃~60℃/ 5~95%RH
Dimensions	85mm×130mm×36.5mm
Housing materials	PC+ABS materials
Net weight	198g
IP class	IP30
PM2.5 Data	
Built-in sensor	Laser particle sensor, light scattering method
Measuring range	0~600µg/m ³
Display resolution	1µg/m ³
Zero Point Stability	±5µg/m ³
Measuring accuracy (1h average)	±15% @ 25℃, 10%~50%RH
PM10 Data	
Built-in sensor	Laser particle sensor, light scattering method
Measuring range	0~1000µg/m ³
Display resolution	1µg/m ³

Zero Point Stability	±5µg/m ³	
Measuring accuracy (1h average)	±20% @ 25°C, 10%~50%RH	
Temperature and Humidity Parameters		
Temperature humidity sensor	Built-in high precision digital integrated temperature humidity sensor	
Temperature measuring range	-20°C~50°C	
Relative humidity measuring range	0~100%RH	
Display resolution	Temperature:0.01°C	Humidity:0.01%RH
Accuracy	Temperature:<±0.5°C@30°C	Humidity:<±3.0%RH (20%~80)
Stability	Temperature:<0.04°C per year	Humidity:<0.5%RH per year

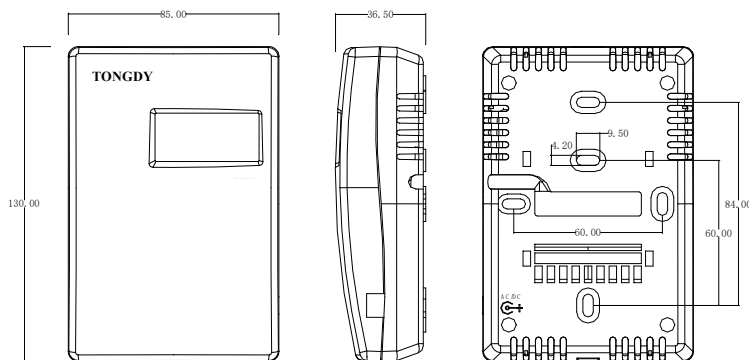
Six - color backlit for PM2.5 index

Air Quality Levels			PM2.5 24h Average Concentration	Effects on Health
LCD Backlight	PM2.5 Level	Air Quality	µg/m ³	
Green	Level I	Very good	0-35	Good air quality, almost no air pollution
Yellow	Level II	Good	36-75	Acceptable air quality, but some pollutants may has a weak effect on health of a handful of high sensitive people.
Orange	Level III	Light pollution	76-115	The symptom of susceptible people are mild sharpened and healthy people come on an symptom of irritation.
Red	Level IV	medium pollution	116-150	Further aggravate symptoms of vulnerable groups, it may has an impact on healthy people heart, lungs and respiratory system.
Purple	Level V	heavy pollution	151-250	Symptoms of vulnerable groups are further aggravated. Healthy people generally appear symptoms
Red-brown	Level VI	Serious pollution	>251	The exercise tolerance of healthy people is reduced with noticeable symptoms, and some symptoms appear ahead of time.

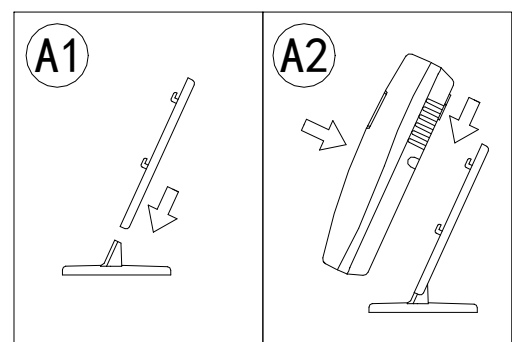
Six - color backlit for PM10 index

Air Quality Levels			PM10 24h Average Concentration	Effects on Health
LCD Backlight	PM10 Level	Air Quality	$\mu\text{g}/\text{m}^3$	
Green	Level I	Very good	0-49	Good air quality, almost no air pollution
Yellow	Level II	Good	50-148	Acceptable air quality, but some pollutants may has a weak effect on health of a handful of high sensitive people.
Orange	Level III	Light pollution	149-248	The symptom of susceptible people are mild sharpened and healthy people come on an symptom of irritation.
Red	Level IV	medium pollution	249-348	Further aggravate symptoms of vulnerable groups, it may has an impact on healthy people heart, lungs and respiratory system.
Purple	Level V	heavy pollution	349-419	Symptoms of vulnerable groups are further aggravated. Healthy people generally appear symptoms
Red-brown	Level VI	Serious pollution	>420	The exercise tolerance of healthy people is reduced with noticeable symptoms, and some symptoms appear ahead of time.

Mounting



Wall mounting



Desktop placement