

BACnet Carbon Dioxide (CO₂) Transmitter with Temperature and RH



Product No: G01-CO2-N SERIES

Applications

- Monitoring room CO₂ and temperature &RH
- Connect BAS systems with BACnet MS/TP
- Control a fresh air system or any ventilation system



Scan the QR code to visit our website

www.iaqtongdy.com

info@tongdy.com

Features

- BACnet communication in MS/TP
- Three CO₂ ranges selected: 0~2000ppm, 0~5000ppm,0~50000ppm
- NDIR infrared CO₂ sensor with up to 15 years lifetime
- Patented self-calibration algorithm
- Optional temperature and humidity detection
- Provide up to 3xanalog linear outputs for measurements
- LCD display or no LCD
- 24VAC/VDC power supply
- EU standard and CE-approval

Specifications

CO ₂ Measurement		
Sensing element	Non-Dispersive Infrared Detector (NDIR)	
CO ₂ range	0~2,000ppm,0~5,000ppm or 0~10,000ppm / 0~50,000ppm optional	
CO ₂ Accuracy	±30ppm + 3% of reading @22°C (72°F)	
Temperature dependence	0.2% FS per°C	
Stability	<2% of FS over life of sensor (15 year typical)	
Pressure dependence	0.13% of reading per mm Hg	
Calibration	ABC Logic Self Calibration Algorithm	
Response time	<2 minutes for 90% step change typical	
Signal update	Every 2 seconds	
Warm-up time	2 hours (first time) / 2 minutes (operation)	
	Temperature	Humidity
Measuring range	0°C~50°C(32°F~122°F) (default)	0 -100%RH
Accuracy	±0.4°C (20°C~40°C)	±3%RH (20%-80%RH)
Display resolution	0.1°C	0.1%RH
Stability	<0.04°C/year	<0.5%RH/year

General Data	
Power supply	24VAC/VDC±10%
Consumption	2.2 W max. ; 1.6 W avg.
Analog outputs	1~3 X analog outputs 0~10VDC(default) or 4~20mA (selectable by jumpers) 0~5VDC (selected at placing the order)
Operation conditions	0~50°C (32~122°F); 0~95%RH, non condensing
Storage conditions	10~50°C (50~122°F) 20~60%RH
Net Weight	250g
Dimensions	130mm(H)×85mm(W)×36.5mm(D)
Installation	wall mounting with 65mm×65mm or 2"×4" wire box
Housing and IP class	PC/ABS fireproof plastic material, protection class: IP30
Standard	CE-Approval

Model Guide

G01-CO2-N X 0 C -Y 0 1 -U 02/05/50-T/TH-Txx

X: LCD or no LCD

- 1- no LCD, 24VAC/VDC power supply
- 3- LCD display, 24VAC/VDC power supply

C: 24VAC/VDC power supply

Y: analog linear outputs

- 3-3Xanalog outputs (for CO2, temperature, humidity)
- 2-2Xanalog outputs (for CO2, temperature)
- 1-1xanalog output (for CO2)
- 0-no analog output

U: type of analog output

- V- 0~10VDC (default)
- A- 4~20mA
- V5- 0~5VDC (not be changed)

02/05/50: CO2 range

- 02- 0~2,000ppm
- 05- 0~5,000ppm
- 50-0~50,000ppm

T/TH: temperature option/ temperature and humidity option

Txx: temperature scaling

example

T05: 0°C~50°C(32°F~122°F) default (without the postfix indicates the default)

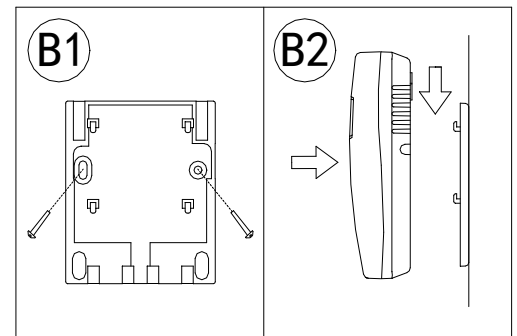
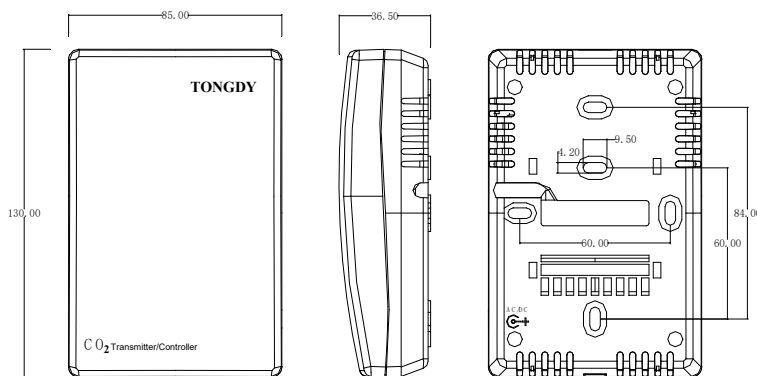
T06: 0°C~60°C(32°F~140°F)

T26: -20°C~60°C(-4°F~140°F)

Accessory (selectable in the order)

921: wall mounted back panel

Mounting and Dimensions



921-Wall mounted back panel

24VAC/VDC	AN1	AN2	AN3	MS/TP	ONLY!	
G+ ↓	G0 ↓	CO2 ↑	T ↑	H ↑	-	+
1	2	3	4	5	6	7
					G+ ↓	G0 ↓
					⊗ 24V ⊗	⊗ 24V ⊗
					1	2



[https://: www.iaqtongdy.com](https://www.iaqtongdy.com)

info@tongdy.com

office phone: +86 10 59738930

Latin: www.airetongdy.com

China: www.tongdy.com

Address: Building #8, No.9 Dijin Rd, Haidian District, Beijing 100095, China