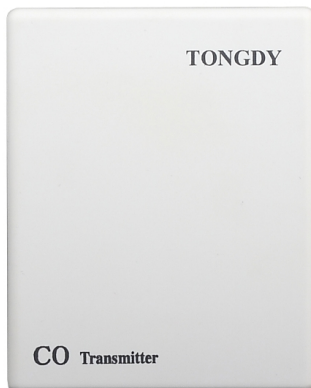




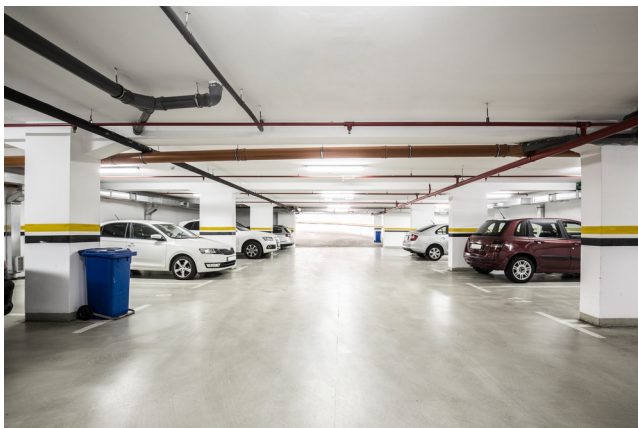
Carbon Monoxide Detector

F2000TSM-CO-C101



- Real time detect and transmit air carbon monoxide
- Up to five years lifetime
- 1x analog output for linear measurement
- Modbus RS485 interface
- The highest performance with the lowest price

Design for real time detection air carbon monoxide concentration in enclosed or semi-enclosed car parks. According to the measurements of carbon monoxide to control ventilation systems or alarm .



FEATURES

- ◆ Wall mounting, real time detect carbon monoxide of 0~100ppm range or optional 0~200ppm/0~500ppm.
- ◆ Electrochemical sensor from Japanese Figaro offers several advantages over traditional electrochemical sensors.
- ◆ With the long lifetime character, the detector has perfect long term stability, and high accuracy.
- ◆ Especially the inside sensor is environmentally friendly without risk of electrolyte leakage.
- ◆ One analog output of the measurement of carbon monoxide with 0~10V or 4~20mA selectable
- ◆ Special built-in Self-Zero Correction algorithm.
- ◆ Modbus RS-485 communication with 15KV antistatic protection, also can be calibrated carbon monoxide measurement via the interface

APPLICATIONS

- ◆ Commercial carbon monoxide detector and transmitter
- ◆ Ventilation control for indoor parking garages
- ◆ Recreational vehicle CO detectors
- ◆ Kitchen rooms and restaurants
- ◆ Freezing machine rooms and other places where air quality is easy to worsen

SPECIFICATIONS

General

Power Supply	24VAC/VDC
Consumption	1.5 W
Wiring connections	5 terminal blocks (max.)
Operation temperature	0~60°C(32~140°F)
Operation humidity	5~99%RH, non condensing
Storage conditions	0~50°C(32~122°F)
Net Weight	190g
Dimensions	100mm×80mm×28mm
Installation standard	65mm×65mm or 2"×4" junking box
Housing and IP class	PC/ABS fireproof plastic material, protection class: IP30
Compliance	EMC Directive 89/336/EEC

CO Measurement

Gas detected	Carbon monoxide
Sensing element	Electrochemical sensor
Gas sample mode	Diffusion
Warm up time	1 hour (first time)
Response Time	Within 60 seconds
Signal Update	1s
CO Measuring Range	0~100ppm(default) 0~200ppm/0~500ppm selectable in purchasing

Accuracy <math>$\pm 1\text{ppm}$</math> @ 20±5°C/ 20~70%RH

Stability ±5% (over 900 days)

Outputs

Linear analog output 1x0~10VDC or /4~20mA

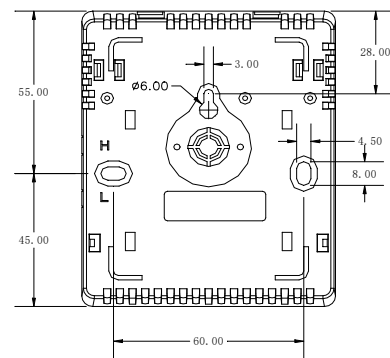
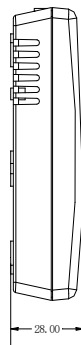
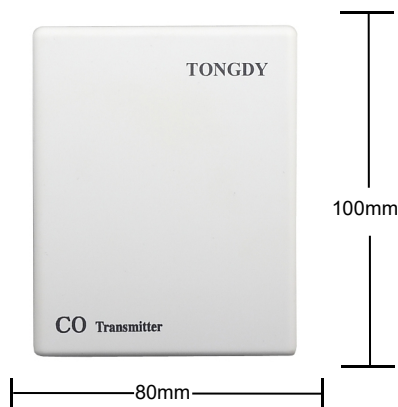
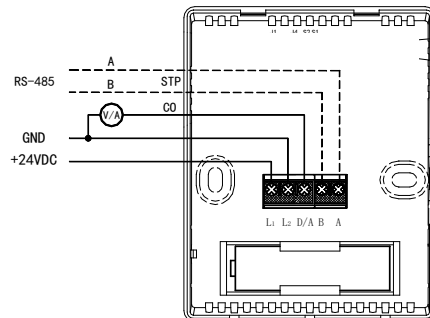
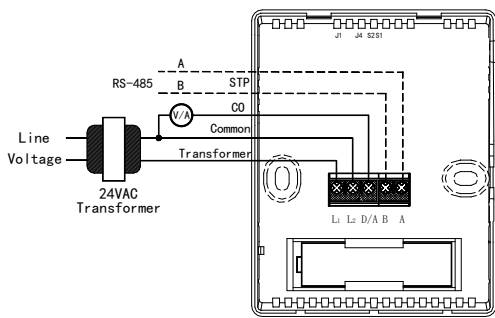
D/A resolution 16 bit

D/A conversion accuracy 0.1ppm

Modbus RTU

RS485 Communication interface 9600/14400/19200(default), 28800 bps, 38400 bps (programmable selection), 15KV antistatic protection

MOUNTING AND WIRING



MODELS

ITEM	MODEL	DESCRIPTION
Carbon Monoxide Transmitter	F2000TSM-CO-C001	Carbon monoxide transmitter with Modbus RS485 communication interface
Carbon Monoxide Transmitter	F2000TSM-CO-C101-V/A	Carbon monoxide transmitter with one 0~10VDC/4~20mA output. Modbus RS485 communication interface

CO range(postfix after the model):

001: 0~100ppm (default)

002: 0~200ppm

005: 0~500ppm

PACKAGES

Indiv. Ctn. Dim	115mm×95mm×45mm
Master Ctn. Qty	80
Master Ctn. Dim	44cm(L)×32cm(W)×32cm(H)
Master Ctn. Wt.	18KG



Tongdy Sensing Technology Corp.

Address: Building #8, No.9 Dijin Rd, Haidian District, Beijing 100095, China

Phone: +86-10 59738931/32

Email: info@tongdy.com

Website: www.tongdy.com