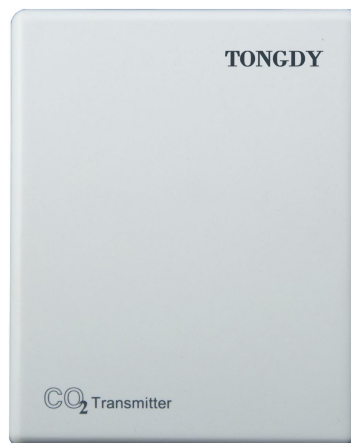


# CARBON DIOXIDE DETECTOR



**Product No: F12-S8100/8201**

- Simple carbon dioxide transmitter.
- NDIR CO<sub>2</sub> sensor has Self-Calibration Algorithm and up to 15 years lifetime
- Wall-mounting
- One analog output with 0~10VDC or 4~20mA
- Design for basic application in HVAC, ventilation systems applications
- Modbus RS485 communication interface optional
- CE-Approval



Scan the QR code to visit our website

[www.iaqtongdy.com](http://www.iaqtongdy.com)

[info@tongdy.com](mailto:info@tongdy.com)

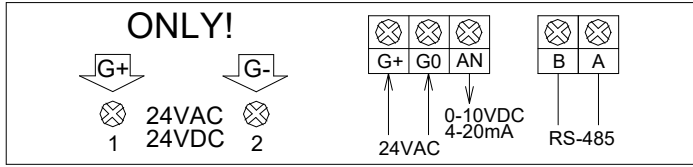
## Specifications

Gas detected	Carbon Dioxide (CO <sub>2</sub> )
Sensing element	Non-Dispersive Infrared Detector (NDIR)
Accuracy@25°C (77°F)	±70ppm + 3% reading
Stability	<2% of FS over life of sensor (15 yr typical)
Calibration	Self Calibration inside
Response time	<2 minutes for 90% step change
Warm up time	10 minutes (first time) 30 seconds (operation)
CO <sub>2</sub> measuring range	0~2,000ppm
Sensor life	>15 years
Power supply	24VAC/24VDC
Consumption	3.6 W max. ; 2.4 W avg.
Analog outputs	1X0~10VDC linear output or 1X0~10VDC /4~20mA selectable by jumpers
Modbus interface	Modbus RS485 interface 9600/14400/19200(default)/28800 or 38400bps
Operation conditions	0~50°C (32~122°F); 0~95%RH, non condensing
Storage conditions	0~50°C (32~122°F)
Net weight	160g
Dimensions	100mm×80mm×28mm
Installation standard	65mm×65mm or 2"×4"wire box
Approval	CE-Approval

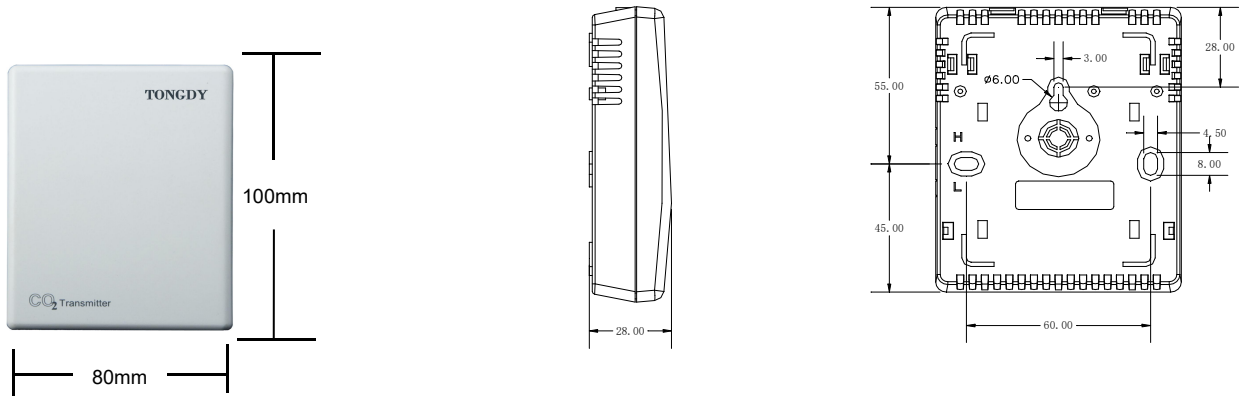
## Models Guide

Type	Model	Description
CO <sub>2</sub> Transmitter	<b>F12-S8100</b>	1X0~10VDC output, CO <sub>2</sub> range: 0~2,000ppm
	<b>F12-S8200</b>	1X0~10VDC/4~20mA output(selectable by jumpers), CO <sub>2</sub> range: 0~2,000ppm
	<b>F12-S8201</b>	1X0~10VDC/4~20mA output(selectable by jumpers), Modbus RS485 communication.

## Wiring Diagram



## Mounting



## Shipping Information

Indiv. Ctn. Dim	115mm×95mm×45mm
Master Ctn. Qty	100
Master Ctn. Dim	45cm(L)×34cm(W)×34cm(H)
Master Ctn. Wt.	20KG



[https://: www.iaqtongdy.com](https://www.iaqtongdy.com)

[info@tongdy.com](mailto:info@tongdy.com)

office phone: +86 10 5973 8939

Latin: [www.airetongdy.com](http://www.airetongdy.com)

China: [www.tongdy.com](http://www.tongdy.com)

Address: Building #8, No.9 Dijin Rd, Haidian District, Beijing 100095, China